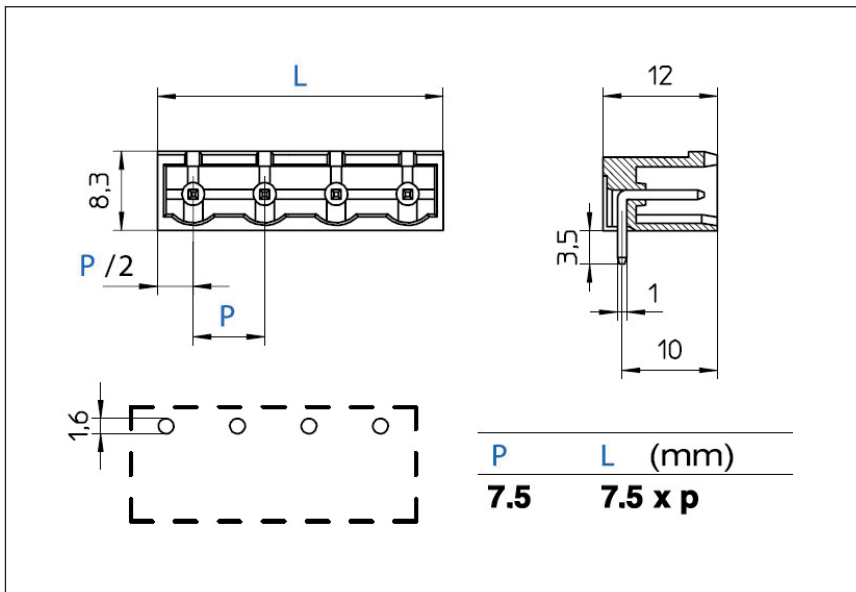


# Standard Pluggable PCB Terminal Block Horizontal Header CPM7.5-SQ

The CPM family of printed circuit board headers is used with the CPF and MRT3 pluggable terminal blocks. The CPM is available in both a vertical and 90 degree version and with either open or closed ends. A feature of the CPM header is the molded-in polarization that insures proper mating of the plug. The CPM headers are available in 2 to 12 positions and have a UL rating of 12 amps, 300 volts. The standard color is green, however other colors are available upon request.

## SPECIFICATIONS

Housing Material:	PA68 Polyamide, Flammable UL94V0
Housing Color:	Green
Pin:	Tin Plated Brass
PCB Mounting Hole:	1.6 mm
Nominal Current:	12A
Voltage:	300V
Temperature Range:	-30° C to 85° C



Item	No. of Poles	Length (mm)
CPM7.5-SQ	2	15
CPM7.5-SQ	3	22.5
CPM7.5-SQ	4	30
CPM7.5-SQ	5	37.5
CPM7.5-SQ	6	45
CPM7.5-SQ	7	52.5
CPM7.5-SQ	8	60
CPM7.5-SQ	9	67.5
CPM7.5-SQ	10	75
CPM7.5-SQ	11	82.5
CPM7.5-SQ	12	90